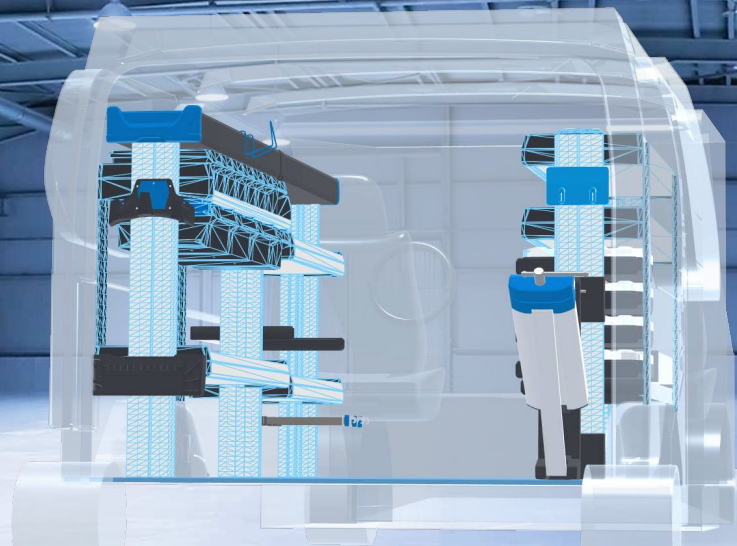



# PERSONAL CONFIGURATION

created on 12.04.2024



Sortimo®

 Open plan in the online configurator

PLANNING DOCUMENT

## Ford Transit 2014

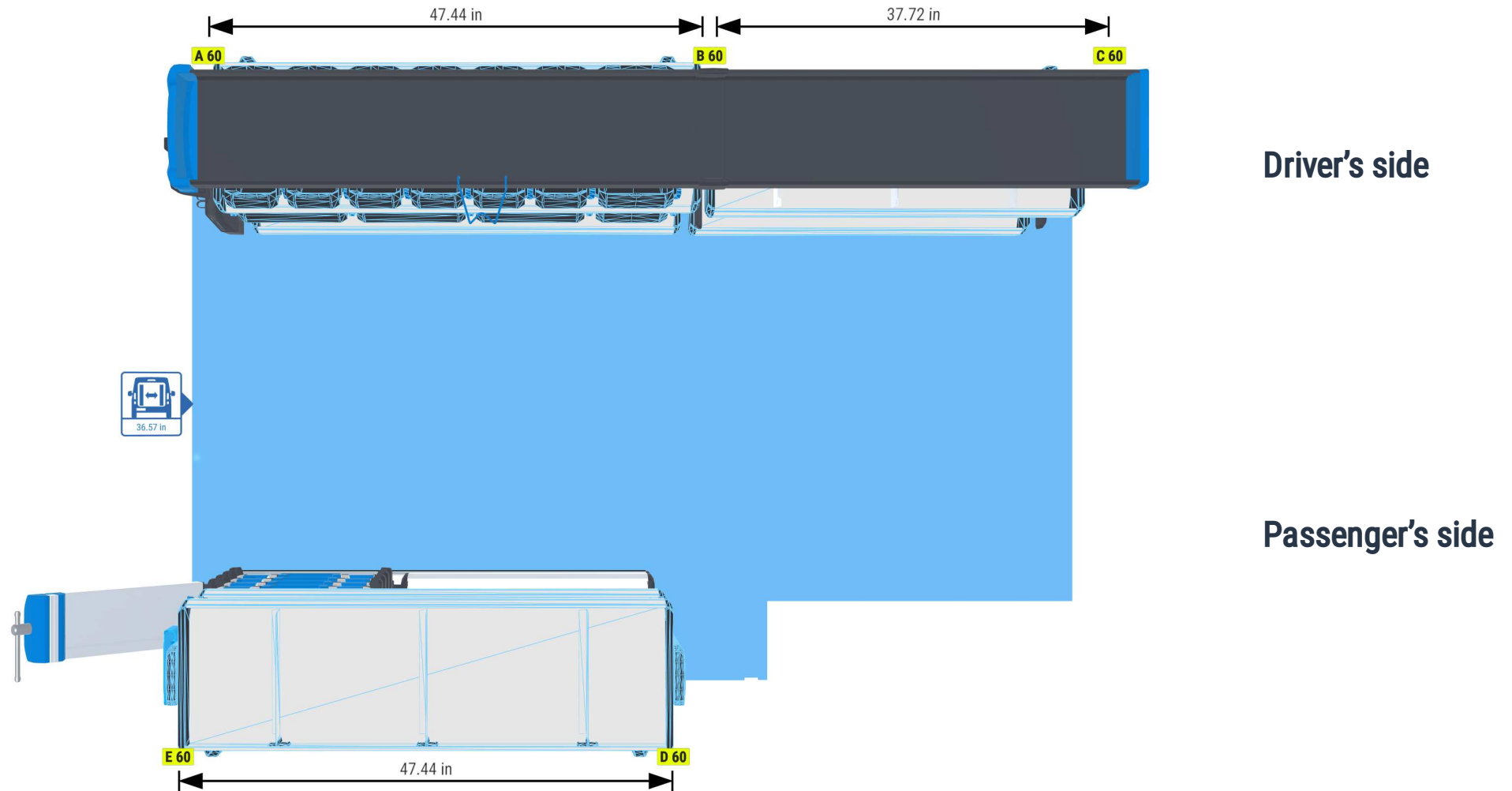
Rear-wheel drive | right | Hinged door | L2 219,9" mm



Sortimo®

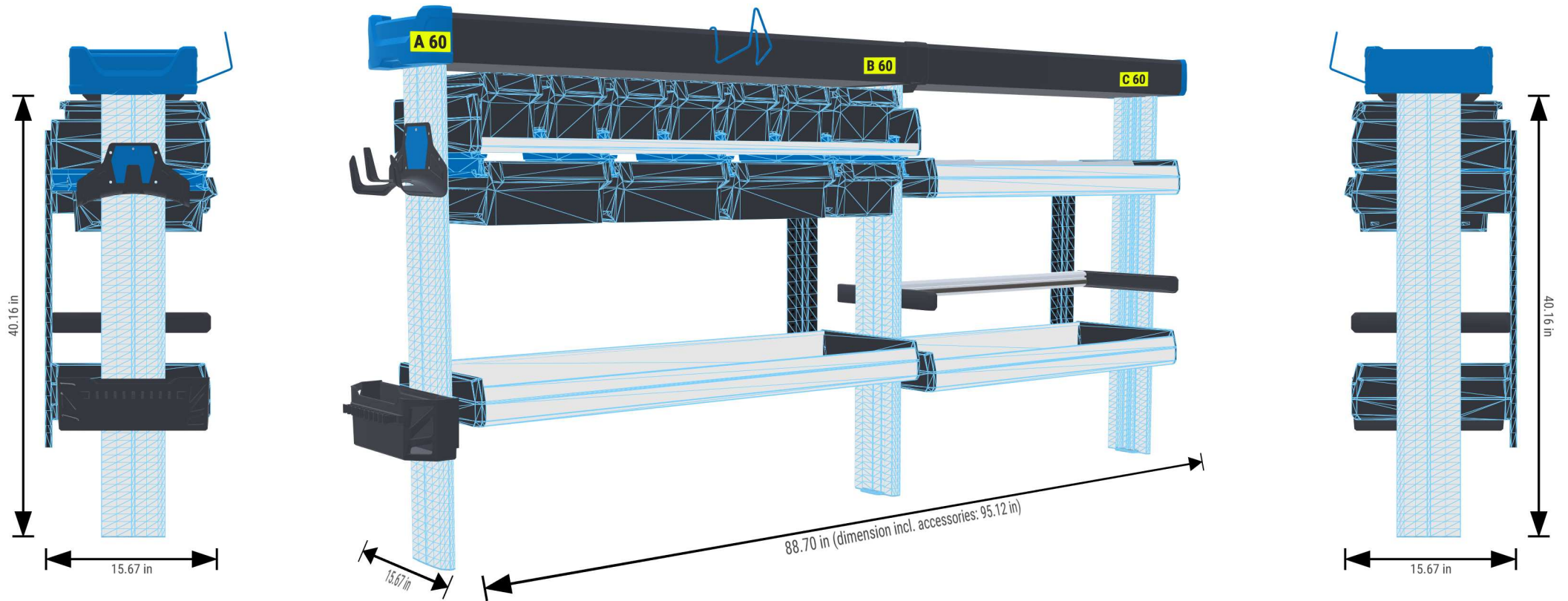
# PERSONAL CONFIGURATION

created on 12.04.2024



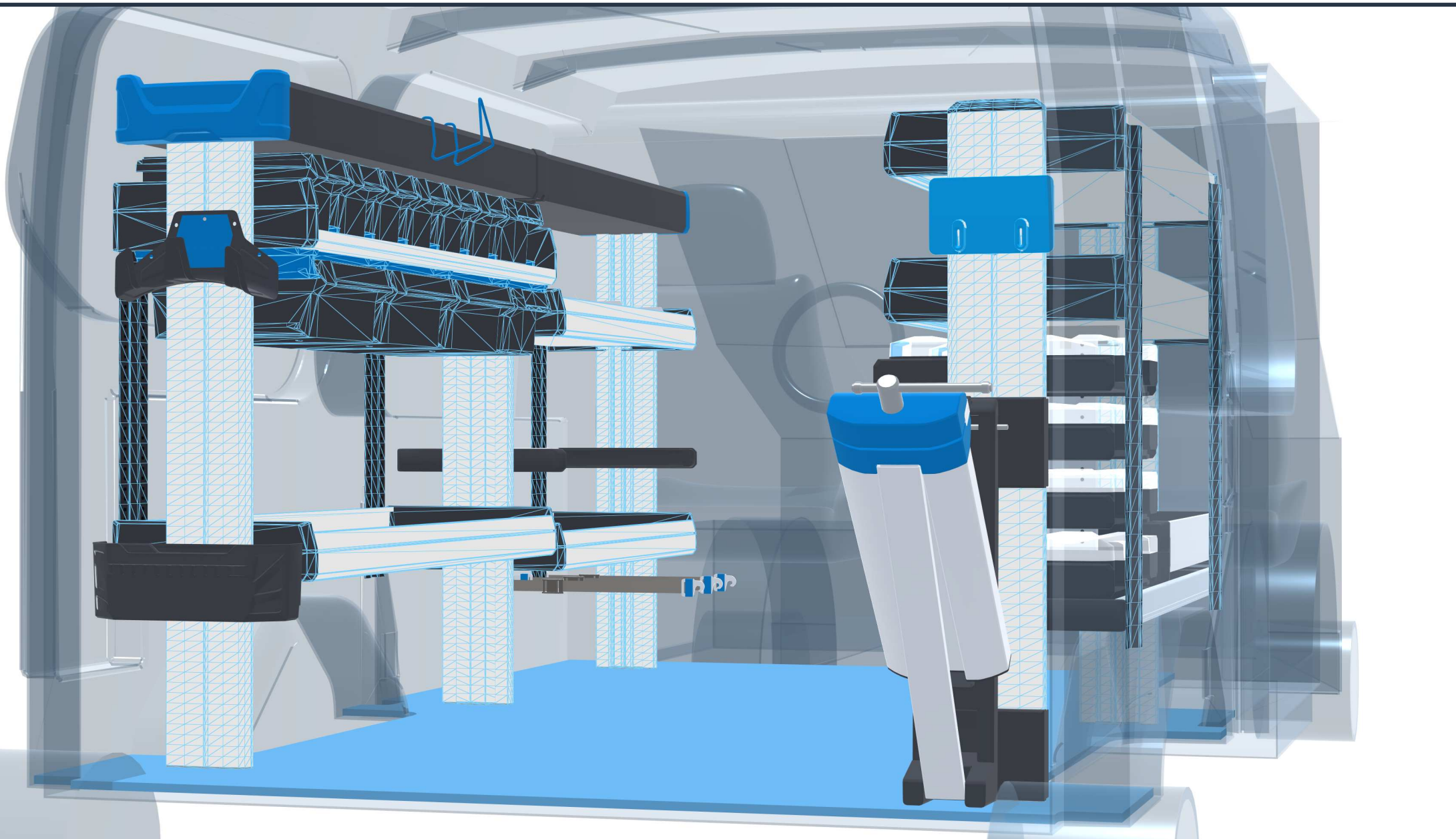
# PERSONAL CONFIGURATION

created on 12.04.2024



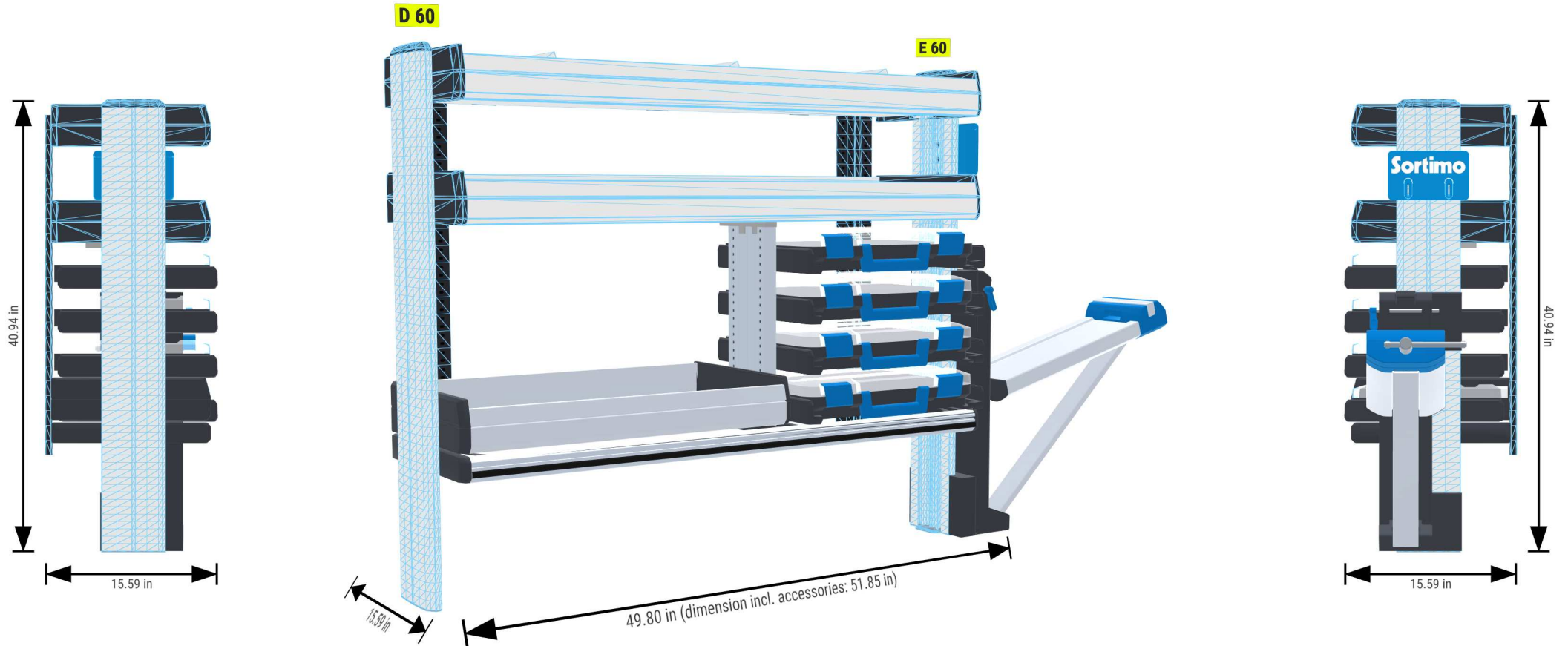
# PERSONAL CONFIGURATION

created on 12.04.2024



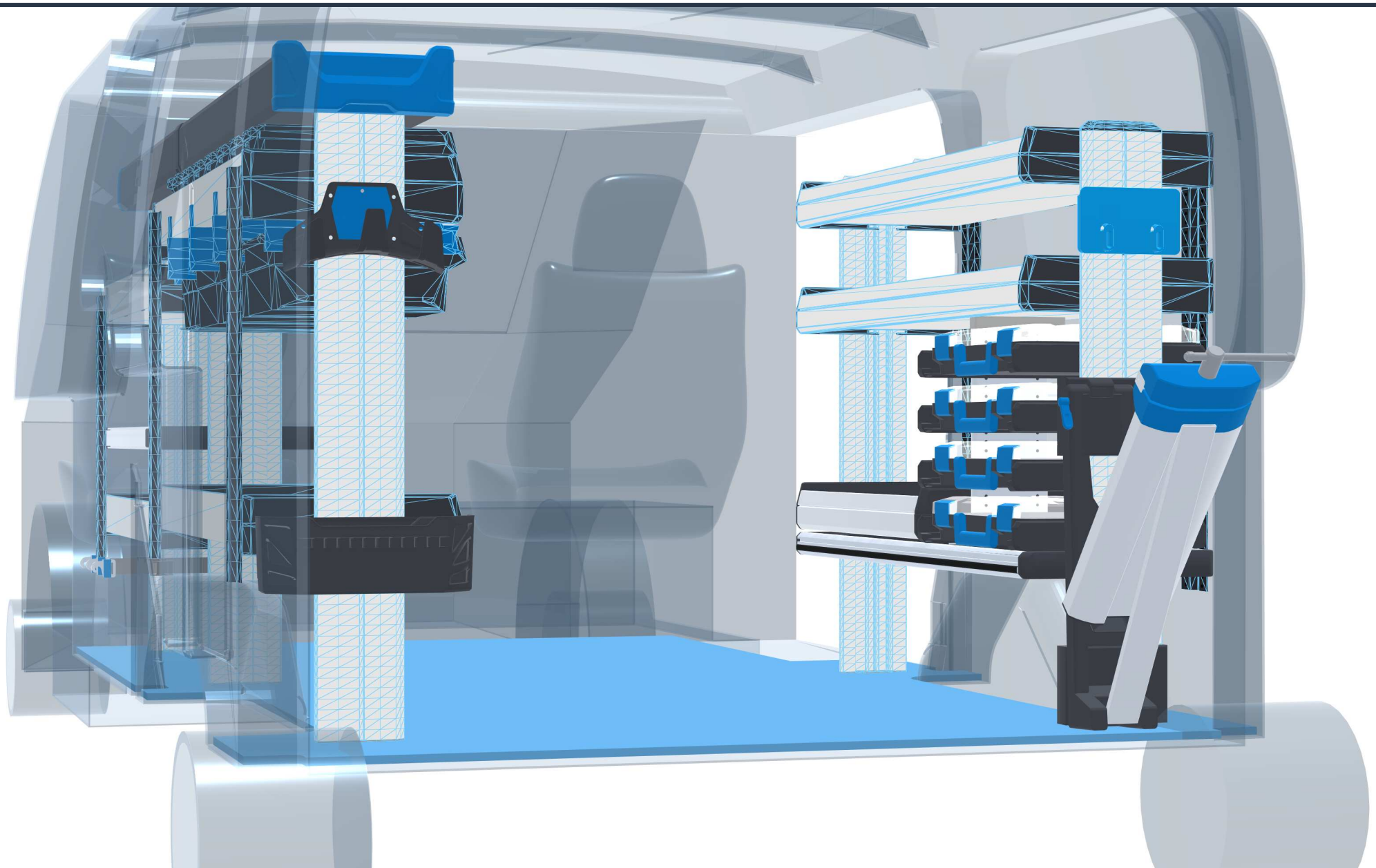
# PERSONAL CONFIGURATION

created on 12.04.2024



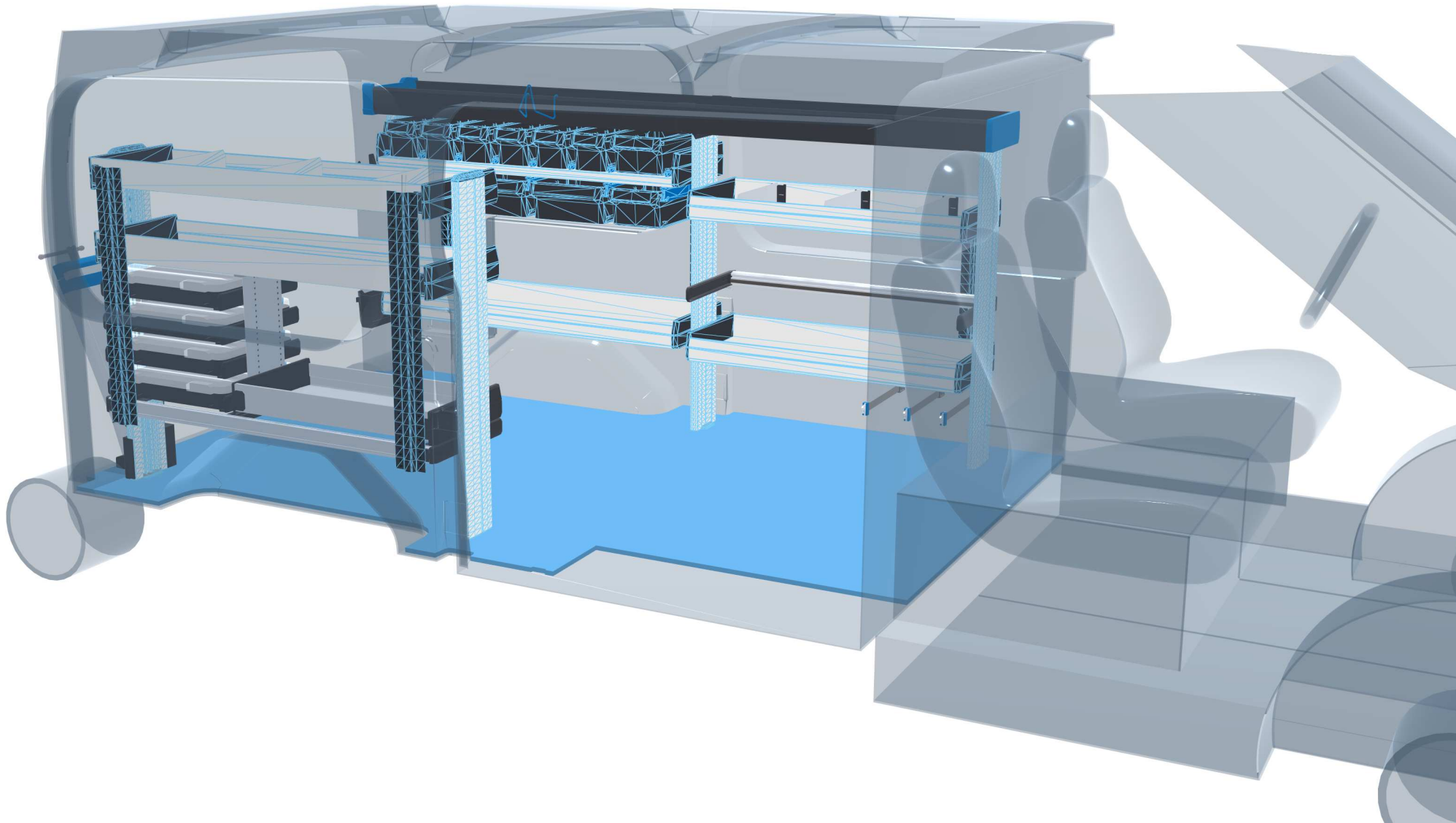
# PERSONAL CONFIGURATION

created on 12.04.2024



# PERSONAL CONFIGURATION

created on 12.04.2024



# PERSONAL CONFIGURATION

created on 12.04.2024



Sortimo near you



Sign in







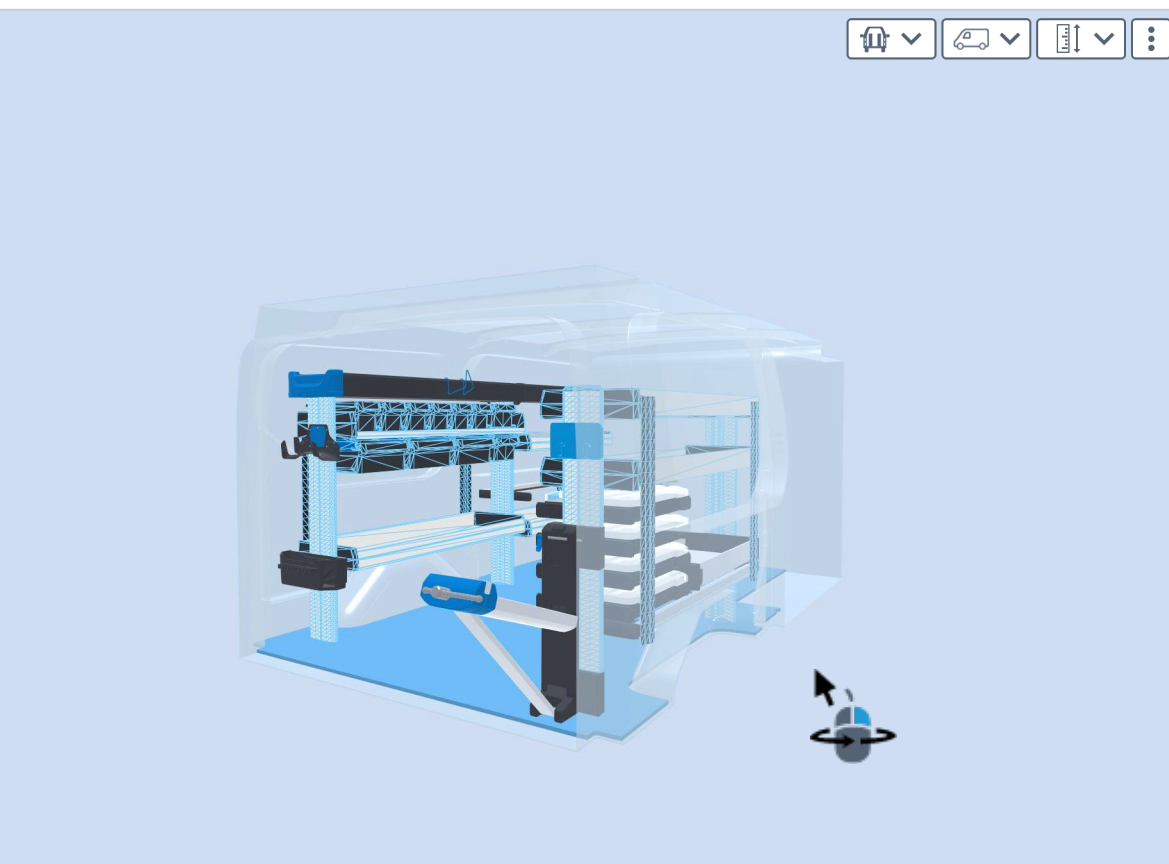
Shopping cart



[Products](#) | [Support](#) | [Company](#) | [Contact](#) | [Blog](#)

Home > Configurator

- Eco**
-   
1  
Cargo Space
-   
2  
Configuration
-   
3  
Accessories
-   
4  
Overview



A list of all products, details and price information can be found in the quotation or the shopping basket.



Total weight:  
97 lb



For questions, further enquiries, changes or orders, please contact your sales consultant or the Customer Service Center.

[Sortimo Contact >](#)



Open plan in the online configurator

To ensure the configurator works properly, you should open it on your desktop PC or laptop and in Google Chrome, Safari or Firefox.